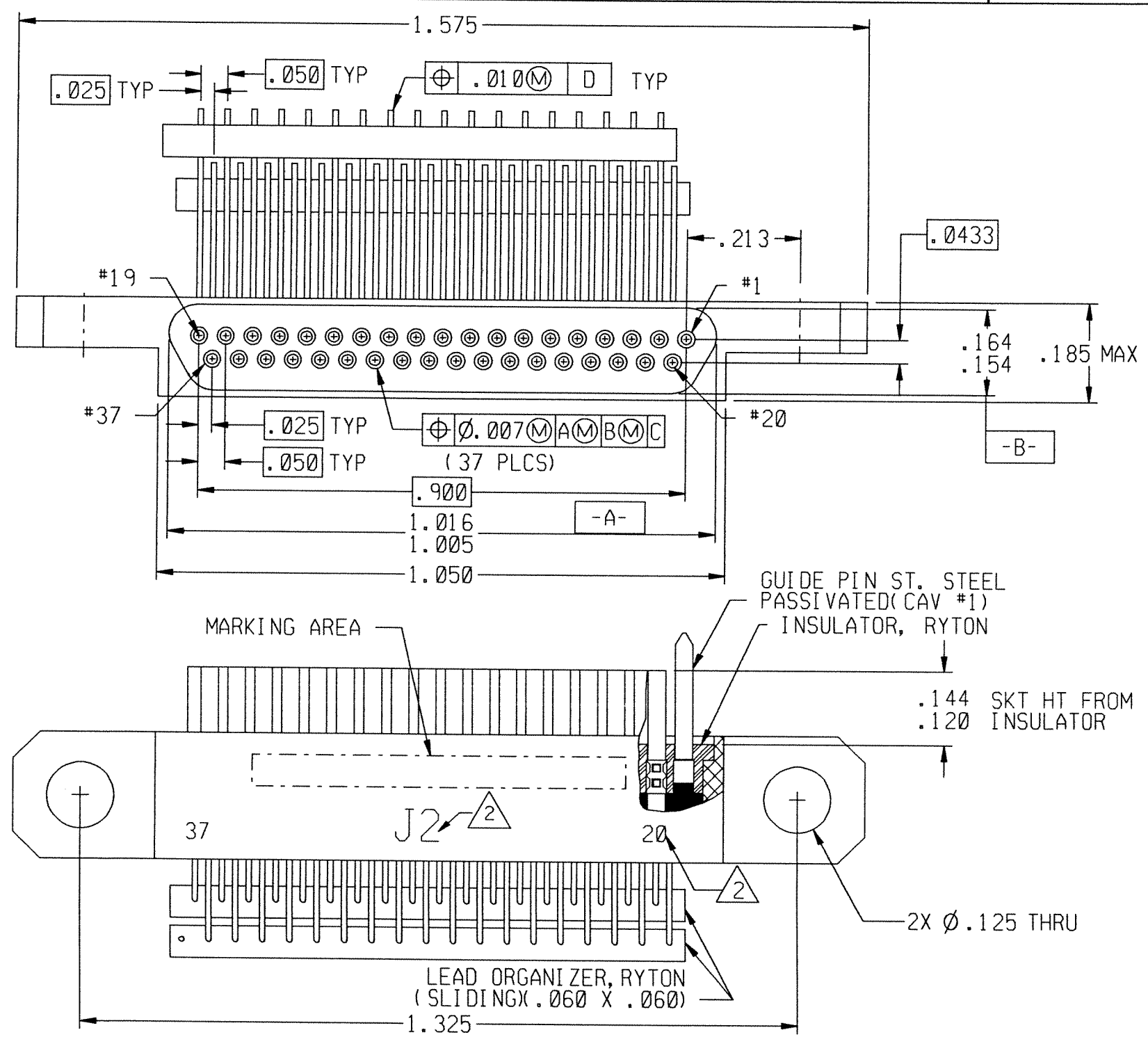


REVISION					
ZONE	LTR	ECN	DESCRIPTION	DATE	APPROVED
	B	39280	UPDATE MARKING NOTES 1 & 2.	8/19/99	<i>[Signature]</i>
	C	4237A	UPDATE REV LETTER	5/12/04	<i>[Signature]</i>

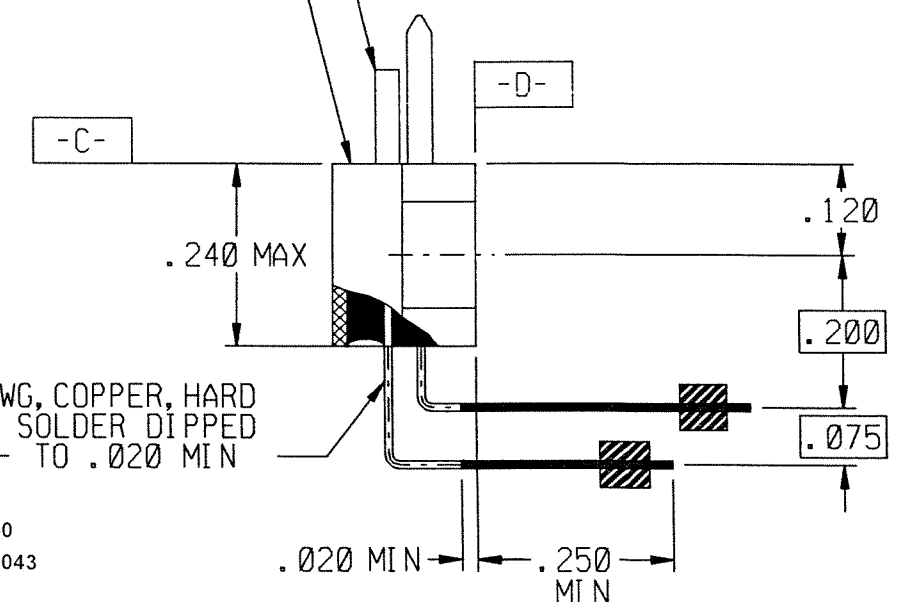


36X LOW FORCE SKT CONTACT  
COPPER ALLOY, GOLD PLATED

HOUSING, RCPT  
ALUM NKL PLTD


36X #30 AWG, COPPER, HARD  
GOLD PLTD, SOLDER DIPPED  
PASS -D- TO .020 MIN

Tyco Dwg 1-1532166-0  
Micro P/N 095-9066-0043



NOTES: UNLESS OTHERWISE SPECIFIED

- MARK PER TIS.
- MARK CAVITY NUMBERS (1, 19, 20, 37) AT THE EQUIVALENT CAVITY WITH .047 MIN HIGH CHARACTERS, AND "J2" WITH .094 MIN HIGH CHARACTERS AS SHOWN.
- EPOXY AS SHOWN IS USING POTTING COMPOUND 194-8102-6225.
- CRIMP LEADS & CRIMP SLEEVES INTO CONTACTS PER MEP 302-05.

UNLESS OTHERWISE SPECIFIED DIMENSIONS ARE IN INCHES. TOLERANCE ARE:			APPROVALS		 <b>MICRODOT CONNECTORS</b> A DIVISION OF UNI-STAR INDUSTRIES INC. 306 PASADENA AVE., SO. PASADENA, CA 91030	
FRACTIONS	DECIMALS	ANGLES	SIGNATURE	DATE		
± 1/8	.XX ± .01 .XXX ± .007	± 2°	DRAWN <i>Tony Lee</i>	8/19/99	SINGLE BAY 2 ROW STRIP CONN METAL SHELL, RIGHT ANGLE TERM MCSMX-37SX (J2) (W/ GUIDE PIN)	
MATERIAL:			CHECKED <i>[Signature]</i>	8/19/99		PROD CODE 831
FINISH:			PRD. ENG.	APPROVED		CODE CDM
THIS DOCUMENT IS THE PROPERTY OF MICRODOT CONNECTORS, A DIVISION OF UNI-STAR INDUSTRIES INC. USE OF THIS DOCUMENT OR ANY PART THEREOF IS STRICTLY FORBIDDEN WITHOUT THE EXPRESS WRITTEN PERMISSION OF MICRODOT CONNECTORS, A DIVISION OF UNI-STAR INDUSTRIES INC.			BOEING, NORTH AMERICA		SIZE CODE IDENT NO. DRAWING NO. B 98278 095-9066-0043	
			SCALE: NONE		SHEET 1 OF 1	